



Minor procedure kits





- ✓ **Simplicity**
- ✓ **Time savings**
- ✓ **Cost efficiency**



OneMed puts the choice in your hands with a wide selection of standard and tailor made kits. Infection control, simplicity and savings in time and cost are the guiding stars behind the principles of the **evercare® MediKit** assortment.

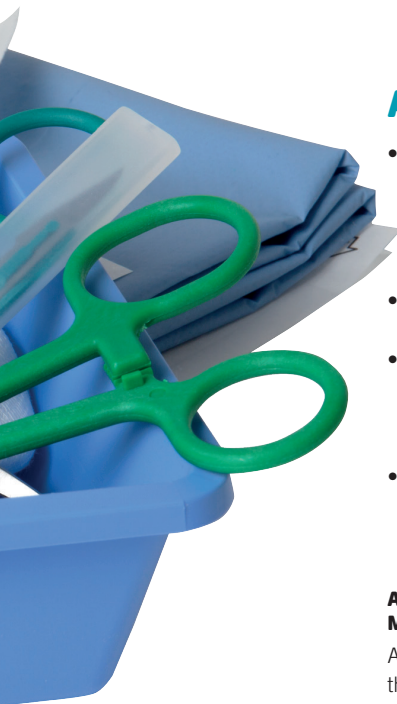
Areas in which OneMed offers a **evercare® MediKit** solution

- Anaesthesia
- Catheterization
- Dialysis (or Haemodialysis)
- IV therapy
- Skin washing
- Suture removal
- Wound care (dressing)
- Instrument
- Patient
- Bowls and Basins

Central Sterilization Departments, nursing staff and purchasers can help reduce waste, inefficiency and cost by analyzing and



streamlining their supplies- by using pre-assembled procedure kits. One option is to use standardised kits from the **evercare®** catalogue when appropriate. Another option is to tailor make a kit to meet the specific requirements of the care giver. OneMed provides both options!



Advantages

- A minor procedure kit contains all typical single use tools and supplies needed to perform a particular procedure. It replaces a number of individually packed items and thus generates significant savings in both valuable nursing time and money.
- Fewer packages need to be opened, thus reducing waste.
- Less contact points improve infection control. Pre-packaged procedure kits are shipped sterilized. Take the kit from storage, bring it to the point of care, unwrap, and use it.
- **evercare®** tailor made kits are presented in order of use, the clinician can proceed efficiently through the procedure and save time and money.

ALL EVERCARE® MEDIKIT CARRY THE CE AND ARE MADE IN EUROPEAN UNION

All components used in **evercare®** MediKit kits conform to the strictest standards ensuring patient and staff safety.

evercare® MediKit Tool

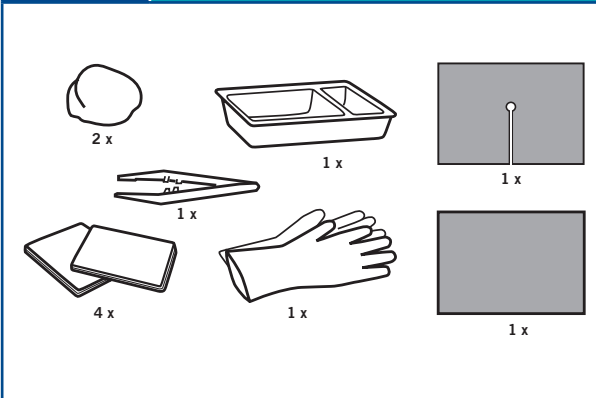
The **evercare® MediKit Tool** is a configuration instrument that gives a quick indication of the cost that is linked to a minor procedure kit. The **evercare® MediKit Tool** gives access to a wide range of components that can be tailored into a kit that meet the demands of different care givers.

For further information please contact your OneMed representative.

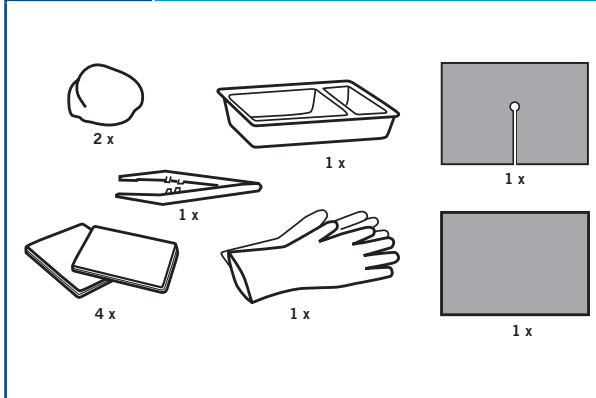


Catheterization sets

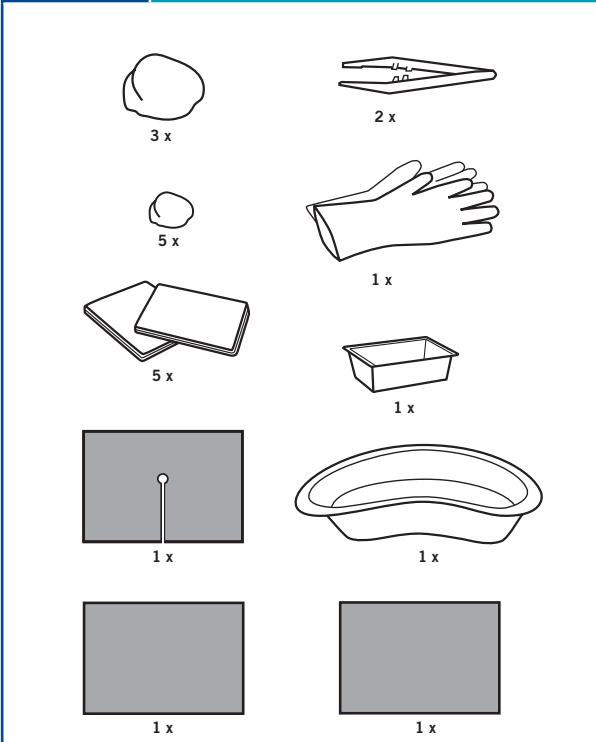
Catheterization set gauze small

REF 1901	<ul style="list-style-type: none"> 1 forceps, green, 127 mm 2 large gauze sponges, Ø 50 mm 4 gauze swabs, 8-ply, 7,5 x 7,5cm 1 pair X-long nitrile gloves (30 cm), white, size M 1 tray, 2-compartment, 182 x 98 x 24 mm 1 split sheet 60 x 75 cm 1 utility drape (tray wrap) 50 x 50 cm
Pack count	1/10/100
	

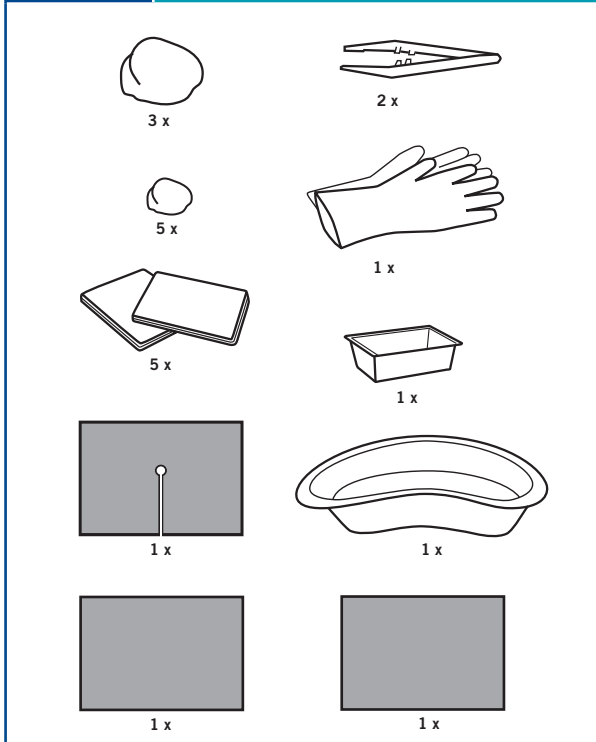
Catheterization set nonwoven small

REF 1902	<ul style="list-style-type: none"> 1 forceps, green, 127 mm 2 large nonwoven sponges, Ø 50 mm 4 nonwoven swabs, 8-ply, 7,5 x 7,5cm 1 pair X-long nitrile gloves (30 cm), white, size M 1 tray, 2-compartment, 182x98x24 mm 1 split sheet 60 x 75 cm 1 utility drape (tray wrap) 50 x 50 cm
Pack count	1/10/100
	

Catheterization set gauze Large

REF 1941	<ul style="list-style-type: none"> 2 forceps, green, 127 mm 3 large gauze sponges, Ø 50 mm 5 small gauze sponges, Ø 30-35 mm 5 gauze swabs, 8 ply, 7,5 x 7,5 cm 1 kidney bowl 255 x 155 x 44 mm 1 small bowl 108 x 84 x 44 mm 1 pair X-long nitrile gloves (30 cm), white, size M 1 utility drape 60 x 75 cm 1 split sheet 60 x 75 cm 1 utility drape (tray wrap) 60 x 60 cm
Pack count	1/10/40
	

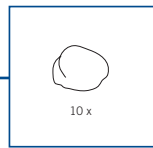
Catheterization set nonwoven large

REF 1942	<ul style="list-style-type: none"> 2 forceps, green, 127 mm 3 large nonwoven sponges, Ø 50 mm 5 small nonwoven sponges, Ø 30-35 mm 5 nonwoven swabs, 7,5 x 7,5 cm, 8-ply 1 kidney bowl 255 x 155 x 44 mm 1 small bowl 108 x 84 x 43 mm 1 pair X-long nitrile gloves (30 cm), white, size M 1 utility drape 60 x 75 cm 1 split sheet 60 x 75 cm 1 utility drape (tray wrap) 60 x 60 cm
Pack count	1/10/40
	

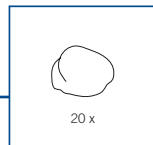
Washing sets

Washing sets – Gauze

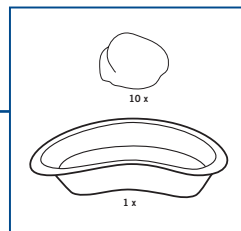
REF 1981	10 gauze sponges Ø 50 mm Packed in double pack
Pack count	1/20/160



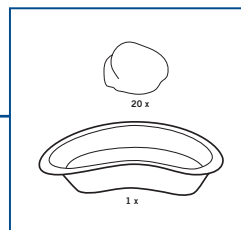
REF 1982	20 gauze sponges Ø 50 mm Packed in double pack
Pack count	1/10/60



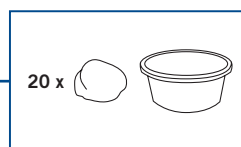
REF 1983	1 kidney bowl, 255 x 155 x 44 mm 10 gauze sponges, Ø 50 mm Packed in double pack
Pack count	1/10/40



REF 1984	1 kidney bowl, 255 x 155 x 44 mm 20 gauze sponges, Ø 50 mm Packed in double pack
Pack count	1/10/40



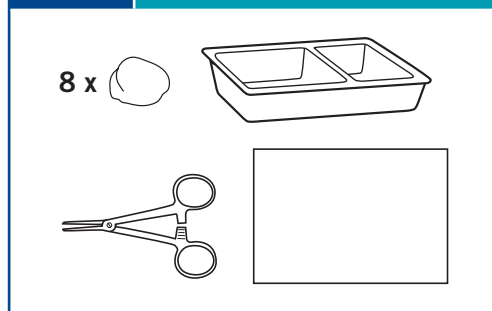
REF 1978	1 round bowl, transparent, 1000 ml 20 gauze sponges, Ø 60 mm
Pack count	1/12/24



REF 1979	1 round bowl, transparent, 500 ml 15 gauze sponges, Ø 35 mm
Pack count	1/32/64



REF 1977	8 gauze sponges, Ø 50 mm 1 Kocher, 20 cm, blue 1 tray, 2-compartment, white 1 utility drape (tray wrap), 60 x 90 cm
Pack count	1/50/100



Washing sets – Nonwoven

REF 1985	10 nonwoven sponges Ø 50 mm Packed in double pack
Pack count	1/20/160

REF 1986	20 nonwoven sponges Ø 50 mm Packed in double pack
Pack count	1/10/60

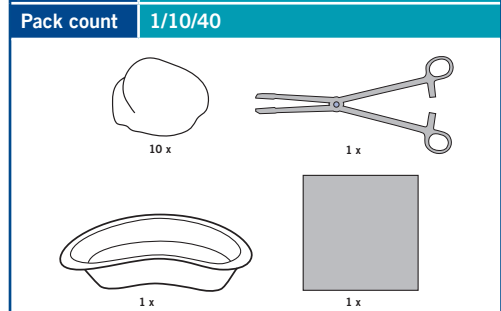
REF 1987	1 kidney bowl, 255 x 155 x 44 mm 10 nonwoven sponges, Ø 50 mm Packed in double pack
Pack count	1/10/40

REF 1988	1 kidney bowl, 255 x 155 x 44 mm 20 nonwoven sponges, Ø 50 mm Packed in double pack
Pack count	1/10/40

REF 1992	1 round bowl, transparent, 1000 ml 20 nonwoven sponges, Ø 50 mm
Pack count	1/12/24

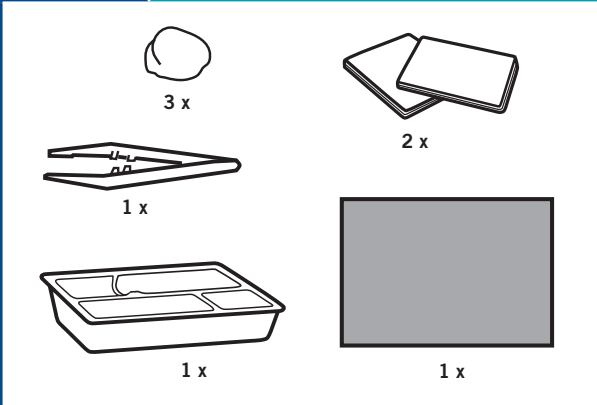
REF 1991	1 round bowl, transparent, 500 ml 10 nonwoven sponges, Ø 50 mm
Pack count	1/32/64

REF 1989	1 kidney bowl, blue 1 haemostatic forceps, 19 cm 10 nonwoven sponges, Ø 50 mm 1 utility drape (tray wrap), 60 x 60 cm Packed in double pack
Pack count	1/10/40

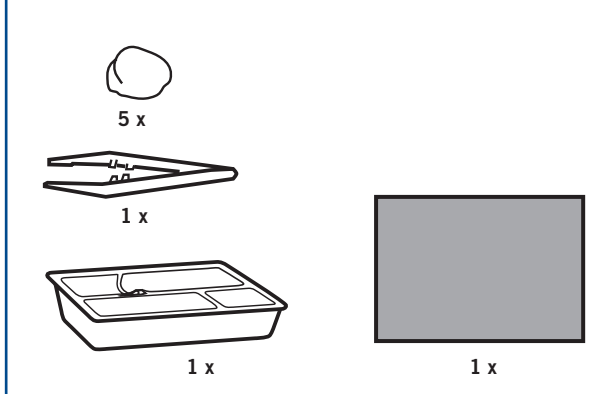


Dressing sets

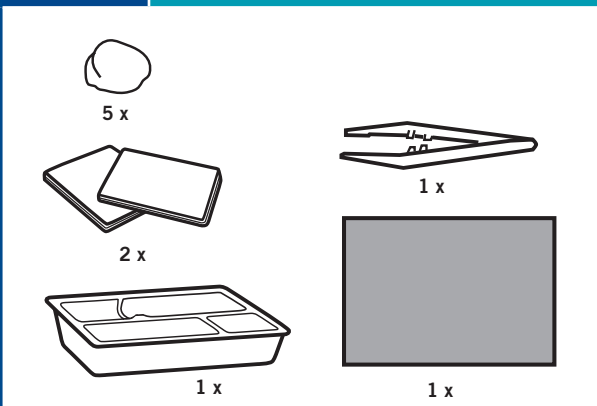
Dressing set gauze

REF 1961	3 small gauze sponges, Ø 25 mm 2 gauze swabs 5 x 5 cm 1 forceps, green, 127 mm 1 tray, 4-compartment 148 x 74 x 18 mm 1 utility drape (protection cover) 40 x 40 cm
Pack count	1/25/200
	

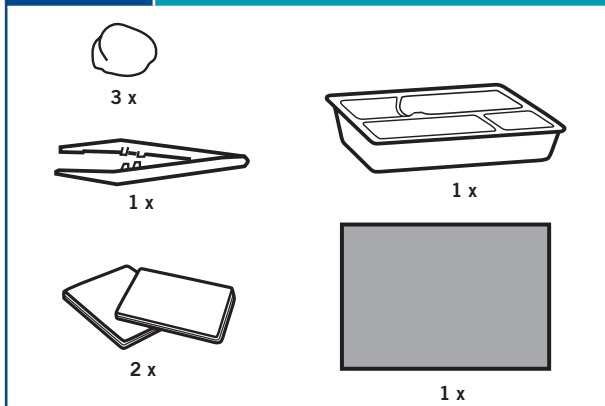
Dressing set gauze

REF 1962	5 small gauze sponges, Ø 25 mm 1 forceps, green, 127 mm 1 tray, 4-compartment, 148 x 74 x 18 mm 1 utility drape (protection cover) 40 x 40 cm
Pack count	1/25/200
	

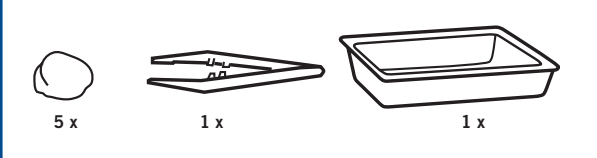
Dressing set gauze

REF 1963	5 small gauze sponges, Ø 25 mm 2 gauze swabs, 8-ply, 5 x 5 cm 1 forceps, green, 127 mm 1 tray, 4-compartment, 148 x 74 x 18 mm 1 utility drape (protection cover) 40 x 40 cm
Pack count	1/25/200
	

Dressing set nonwoven

REF 1965	3 small round nonwoven round swabs, Ø 25 mm 2 nonwoven swabs, 4-ply, 5 x 5 cm 1 forceps, green 127 mm 1 tray, 4-compartment, 148 x 74 x 18 mm 1 utility drape (protection cover) 40 x 40 cm
Pack count	1/25/200
	

Dressing set gauze

REF 1964	5 gauze sponges, Ø 25 mm 1 forceps, green, 127 mm 1 tray, 1-compartment, 152 x 47 x 18 mm
Pack count	1/20/320
	

Dressing sets

Dressing set nonwoven

REF 1966	5 small nonwoven round swabs, \varnothing 25 mm 1 forceps, green 127 mm 1 tray, 4-compartment, 148 x 74 x 18 mm 1 utility drape (protection cover) 40 x 40 cm
Pack count	1/25/200

Dressing set nonwoven

REF 1967	5 small nonwoven round swabs, \varnothing 25 mm 2 nonwoven swabs, 4-ply, 5 x 5 cm 1 forceps, green, 127 mm 1 tray, 4-compartment, 148 x 74 x 18 mm 1 utility drape (protection cover) 40 x 40 cm
Pack count	1/25/200

Suture removal sets

Suture removal set gauze

REF 1891	1 forceps, 127 mm 3 triangular gauze swabs, 30 x 30 x 30 mm 1 suture removal knife, packed in peel-open aluminium bag 1 tray, white 152 x 47 x 18 mm
Pack count	1/20/320

Suture removal set nonwoven

REF 1892	1 forceps, 127 mm 3 triangular nonwoven swabs, 30 x 30 x 30 mm 1 suture removal knife, packed in peel-open aluminium bag 1 tray, white 152 x 47 x 18 mm
Pack count	1/20/320



OneMed Group Oy

PL 10 (Metsäläntie 20), 00321 Helsinki

info.group@onemed.com

Phone 046 714 6800

www.onemed.com

evercare® is registered trademark of OneMed Group Oy